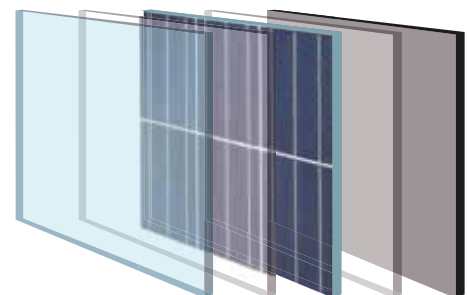


48 cells - Standard or Solrif frame

6 strings of 8 monocrystalline cells



1. Solar quality glass
2. EVA
3. Cells
4. EVA
5. Tedlar (PVF)

Solar quality glass, thickness 4 mm,

Resistance to extreme climatic conditions (5400 pa),

Assembly Verre-EVA-Backsheet made under vacuum for an excellent encapsulation of the cells,

3 bus bar connect cells together for a high efficiency



Certifications IEC 61215 et IEC 61730 parts I and II.
Security class II.
Manufacturer guarantee : 10 years.

Guarantee of functioning :
- 90% during 12 years.
- 80% during 25 years.

MEMBER



ALLIANCE
QUALITÉ
PHOTOVOLTAÏQUE

Monocrystalline modules

Edited by Foxit Reader
Copyright © by Foxit Software Company, 2005-2008
For Evaluation Only.

Photovoltaic panels	48 M 200
Maximum Power at STC (Pmax)	200
Power tolerance**	+/- 3%
Color of backsheet	Black
Module's efficiency per m2 (%)	14,95
Kind of cells	Monocrystallines
Number of cells	48
Cells dimensions (mm)	156 x 156
Normal Operating Cell Temperature (Noct)	45 +/- 1°C
Maximum System Voltage	1000 V
Optimum Operating Voltage Vpm (V)	24.3
Optimum Operating Current Ipm (A)	8.25
Open - Circuit Voltage Voc (V)	30.05
Short - Circuit Current Isc (A)	8.65
Maximal Admissible Reverse Current (A)	15
Number of by-pass diodes	3
Impact of the cells temperature :	
Isc	+ 4.2 mA/°C
Voc	- 101 mV/°C
Pm = Ipm*Vpm	- 0.41 %/°C
Operating temperature	-40...+85°C
Connections	Lumberg LC4

According to conditions of standardized test (STC): period of sunshine of 1000 W / m2, AM 1.5, temperature of cells 25°C.

* Subject to availability of cells. Consult SILLIA Energie before any order.

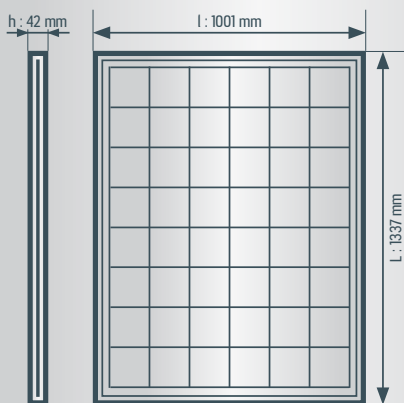
** Other electrical tolerances +/-10%

MECHANICAL CHARACTERISTICS

Standard frame (anodized aluminium)

Module's weight : 18,5 kg

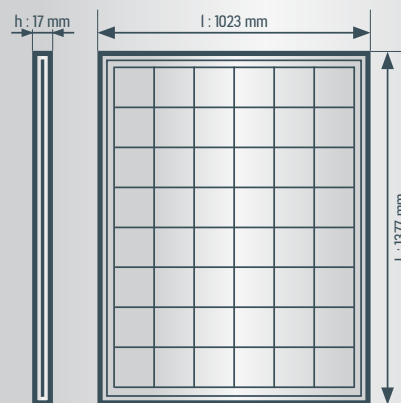
Cable's lenght : 2 x 1 m



Solrif frame

Module's weight : 17 kg

Cable's lenght : 2 x 1,20 m



	L	l	h
Dimensions (mm)	1337	1001	42

Portrait or landscape orientation - Dimensions +/- 2.5 mm

	L	l	h
Dimensions of installation (mm)	1358	991	17
Dimensions (mm)	1377	1023	17

Landscape orientation